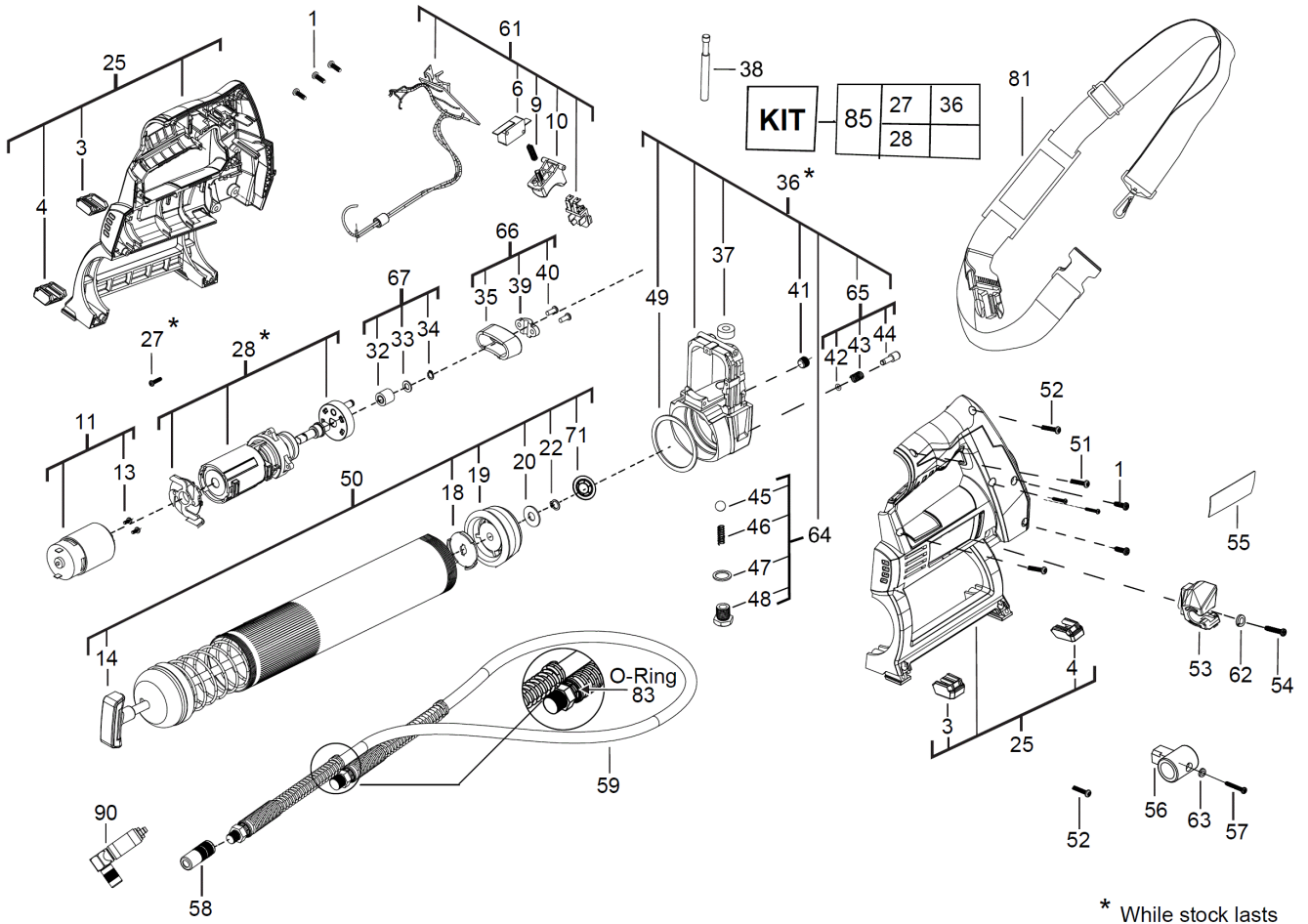


M12GG-401B GREASE GUN IN2

4933441675 - M12GG-401B - 4000440431





* While stock lasts

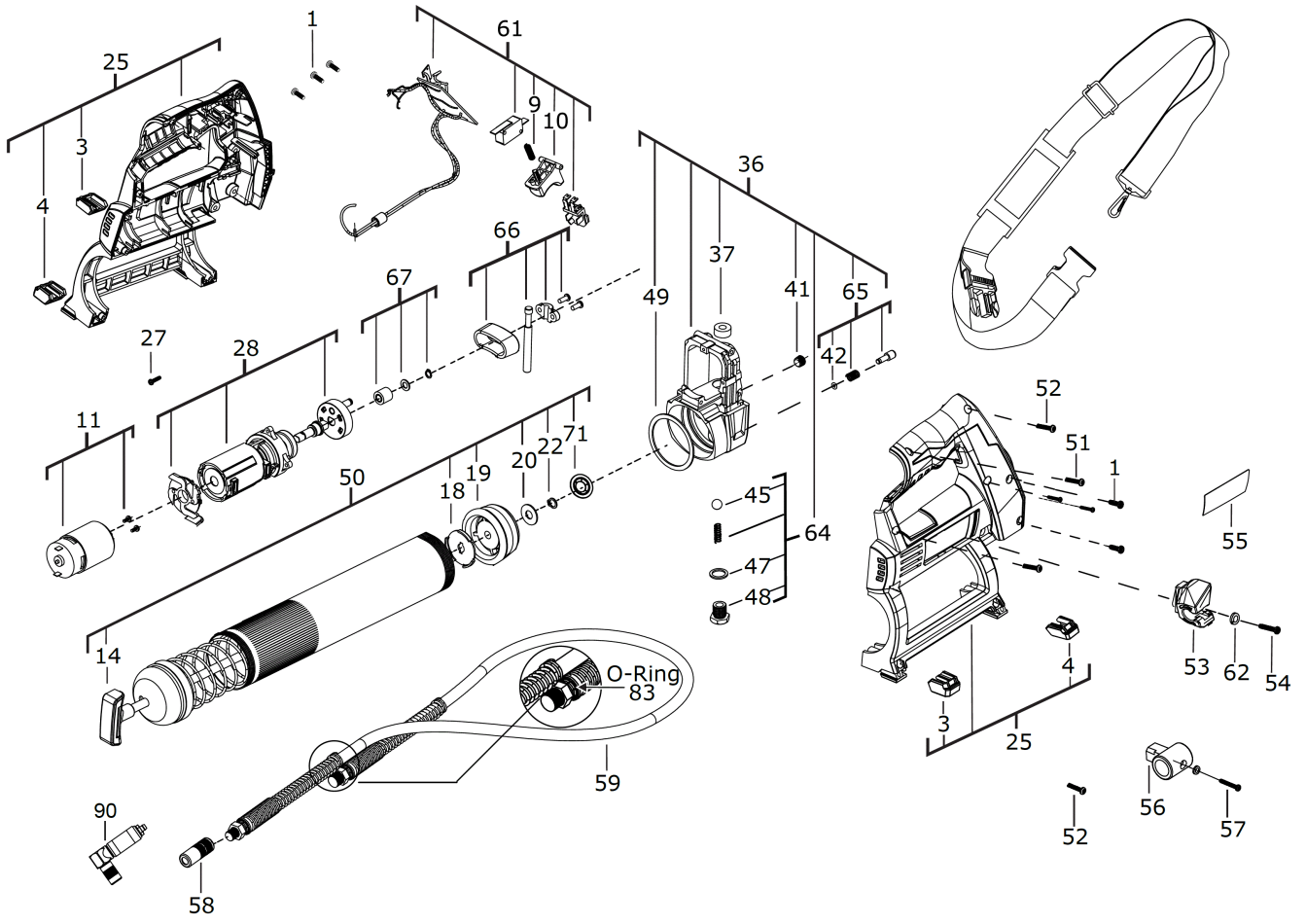
Position	Quantity	Description	Part number	EAN
0001	5	SCREW	660165011	4002395903702
0003	1	RUBBER PLATE	4931435678	4002395861620
0004	1	RUBBER PLATE	4931435677	4002395861613
0006	1	SWITCH	5131000000	
0009	1	SPRING	4931435675	4002395864393
0010	1	SWITCH	4931435633	4002395861576
0011	1	MOTOR ASSEMBLY	4931435634	4002395861583
0013	2	SCREW	5131000000	
0014	1	PRESSURE BOLT	4931435635	4002395861590
0018	1	STAMP	4931435636	4002395862207
0019	1	RUBBER CAP	4931435637	4002395862214
0020	1	WASHER	4931435638	4002395862221
0022	1	RETAINER	4931440647	4002395861682
0025	1	HOUSING	4931435639	4002395862238
0027	3	SCREW	5131000000	
0028	1	GEAR BOX HOUSING	5131000000	
0032	1	BUSH	5131000000	
0033	1	PUNCH GUIDE	5131000000	
0034	1	RETAINER	5131000000	
0035	1	YOKE	5131000000	
0036	1	PUMP	5131000000	
0037	1	SEAL RING	4931435646	4002395862900
0038	1	PISTON	4931435647	4002395862917
0039	1	YOKE	5131000000	
0040	2	SCREW	4931435649	4002395862931
0041	1	BOLT SET	4931435650	4002395862948
0042	1	O-RING	4931435651	4002395862955
0043	1	SPRING	5131000000	
0044	1	LOCK RELEASE KIT	5131000000	
0045	1	BALL	4931435654	4002395862986
0046	1	SPRING	5131000000	
0047	1	WASHER	5131000000	
0048	1	SCREW	4931435657	4002395863617
0049	1	GASKET	4931435658	4002395863624
0050	1	CARTRIDGE HOLDER	4931435659	4002395863631
0051	2	SCREW	661047001	4002395824496
0052	5	SCREW	06827470	4002395773367
0053	1	HOLDING DEVICE	4931435660	4002395863648
0054	1	SCREW	4931435661	4002395863655
0055	1	RATING PLATE	5131000000	
0056	1	HOSE COUPLING	4931435663	4002395863679
0057	1	SCREW	06827475	4058546069063
0058	1	COUPLING	4931435664	4002395863686
0059	1	HOSE	4931435665	4002395863693
0061	1	SWITCH KIT	4931435666	4002395864300
0062	1	CUP SPRING	4931440649	4002395862306
0063	1	STAMP	5131000000	
0064	1	PLUG	4931435668	4002395864324
0065	1	LOCK RELEASE KIT	4931435669	4002395864331
0066	1	YOKE	4931435670	4002395864348

Position	Quantité	Désignation	Référence	EAN
0067	1	BUSH	4931435671	4002395864355
0071	1	NUT	4931435672	4002395864362
0081	1	HOLDER	5131000000	
0083	1	O-RING	4931435674	4002395864386
0085	1	HOLDING DEVICE	5131000000	
0090	1	ADAPTER	4931435862	4002395869336

M12GG-401B GREASE GUN IN2

4933441675 - M12GG-401B - 4000481447



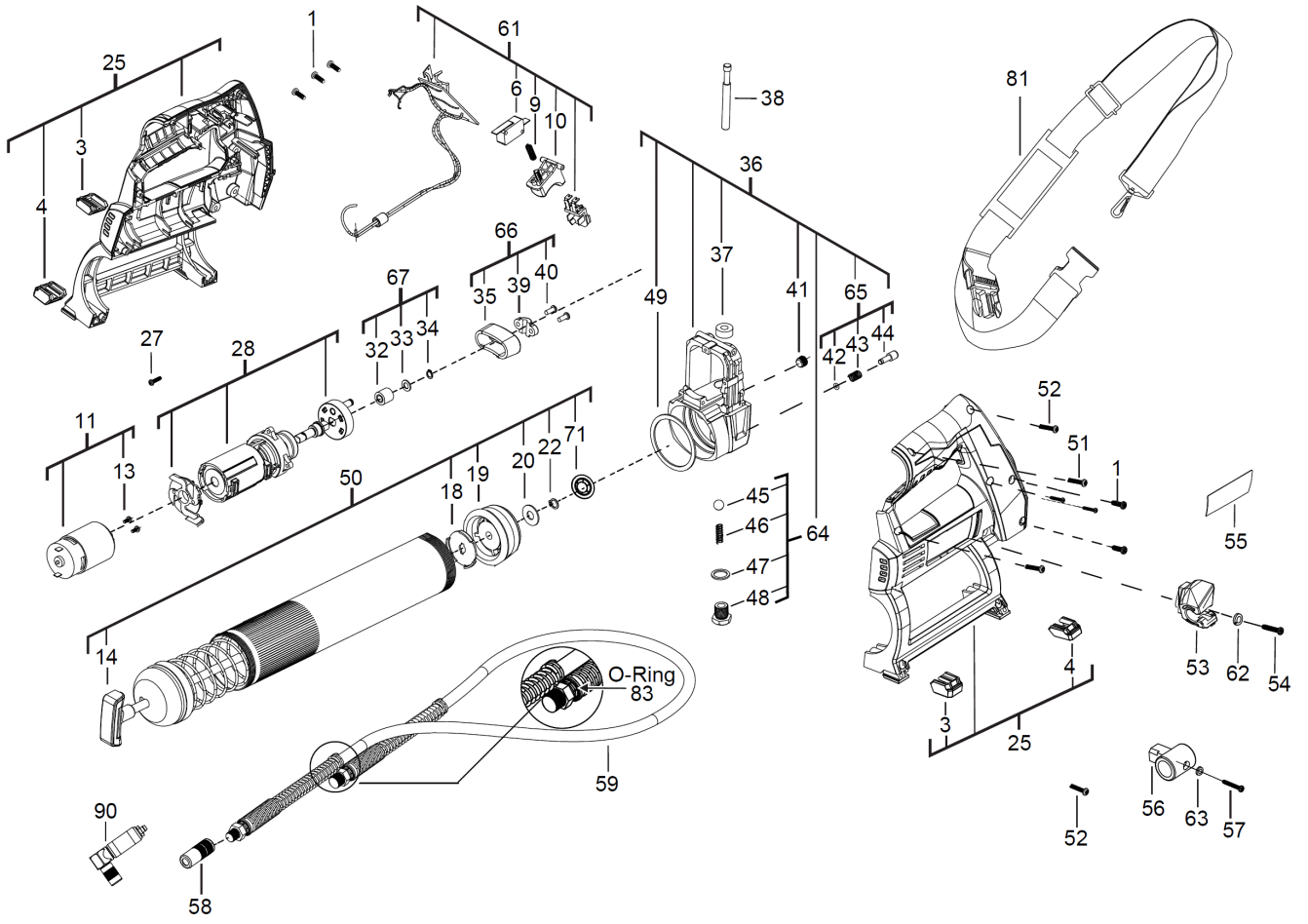


Position	Quantity	Description	Part number	EAN
0001	5	SCREW	660165011	4002395903702
0003	1	RUBBER PLATE	4931435678	4002395861620
0004	1	RUBBER PLATE	4931435677	4002395861613
0009	1	SPRING	4931435675	4002395864393
0010	1	SWITCH	4931435633	4002395861576
0011	1	MOTOR ASSEMBLY	4931435634	4002395861583
0014	1	PRESSURE BOLT	4931435635	4002395861590
0018	1	STAMP	4931435636	4002395862207
0019	1	RUBBER CAP	4931435637	4002395862214
0020	1	WASHER	4931435638	4002395862221
0022	1	RETAINER	4931440647	4002395861682
0025	1	HOUSING	4931435639	4002395862238
0027	3	SCREW	4931454795	4058546014124
0028	1	GEAR BOX	4931454796	4058546014131
0036	1	HOLDING DEVICE	4931454797	4058546014148
0037	1	SEAL RING	4931435646	4002395862900
0041	1	BOLT SET	4931435650	4002395862948
0042	1	O-RING	4931435651	4002395862955
0045	1	BALL	4931435654	4002395862986
0047	1	WASHER	5131000000	
0048	1	SCREW	4931435657	4002395863617
0049	1	GASKET	4931435658	4002395863624
0050	1	CARTRIDGE HOLDER	4931435659	4002395863631
0051	2	SCREW	661047001	4002395824496
0052	5	SCREW	06827470	4002395773367
0053	1	HOLDING DEVICE	4931435660	4002395863648
0054	1	SCREW	4931435661	4002395863655
0055	1	RATING PLATE	4931494216	4058546467883
0056	1	HOSE COUPLING	4931435663	4002395863679
0057	1	SCREW	06827475	4058546069063
0058	1	COUPLING	4931435664	4002395863686
0059	1	HOSE	4931435665	4002395863693
0061	1	SWITCH KIT	4931435666	4002395864300
0062	1	CUP SPRING	4931440649	4002395862306
0064	1	PLUG	4931435668	4002395864324
0065	1	LOCK RELEASE KIT	4931435669	4002395864331
0066	1	YOKE	4931494217	4058546467890
0067	1	BUSH	4931435671	4002395864355
0071	1	NUT	4931435672	4002395864362
0083	1	O-RING	4931435674	4002395864386
0090	1	ADAPTER	4931435862	4002395869336

M12GG-401B GREASE GUN IN2

4933441675 - M12GG-401B - 4000456606





Position	Quantity	Description	Part number	EAN
0001	5	SCREW	660165011	4002395903702
0003	1	RUBBER PLATE	4931435678	4002395861620
0004	1	RUBBER PLATE	4931435677	4002395861613
0006	1	SWITCH	5131000000	
0009	1	SPRING	4931435675	4002395864393
0010	1	SWITCH	4931435633	4002395861576
0011	1	MOTOR ASSEMBLY	4931435634	4002395861583
0013	2	SCREW	5131000000	
0014	1	PRESSURE BOLT	4931435635	4002395861590
0018	1	STAMP	4931435636	4002395862207
0019	1	RUBBER CAP	4931435637	4002395862214
0020	1	WASHER	4931435638	4002395862221
0022	1	RETAINER	4931440647	4002395861682
0025	1	HOUSING	4931435639	4002395862238
0027	3	SCREW	4931454795	4058546014124
0028	1	GEAR BOX	4931454796	4058546014131
0032	1	BUSH	5131000000	
0033	1	PUNCH GUIDE	5131000000	
0034	1	RETAINER	5131000000	
0035	1	YOKE	5131000000	
0036	1	HOLDING DEVICE	4931454797	4058546014148
0037	1	SEAL RING	4931435646	4002395862900
0038	1	PISTON	4931435647	4002395862917
0039	1	YOKE	5131000000	
0040	2	SCREW	4931435649	4002395862931
0041	1	BOLT SET	4931435650	4002395862948
0042	1	O-RING	4931435651	4002395862955
0043	1	SPRING	5131000000	
0044	1	LOCK RELEASE KIT	5131000000	
0045	1	BALL	4931435654	4002395862986
0046	1	SPRING	5131000000	
0047	1	WASHER	5131000000	
0048	1	SCREW	4931435657	4002395863617
0049	1	GASKET	4931435658	4002395863624
0050	1	CARTRIDGE HOLDER	4931435659	4002395863631
0051	2	SCREW	661047001	4002395824496
0052	5	SCREW	06827470	4002395773367
0053	1	HOLDING DEVICE	4931435660	4002395863648
0054	1	SCREW	4931435661	4002395863655
0055	1	RATING PLATE	4931454798	4058546014155
0056	1	HOSE COUPLING	4931435663	4002395863679
0057	1	SCREW	06827475	4058546069063
0058	1	COUPLING	4931435664	4002395863686
0059	1	HOSE	4931435665	4002395863693
0061	1	SWITCH KIT	4931435666	4002395864300
0062	1	CUP SPRING	4931440649	4002395862306
0063	1	STAMP	5131000000	
0064	1	PLUG	4931435668	4002395864324
0065	1	LOCK RELEASE KIT	4931435669	4002395864331
0066	1	YOKE	4931435670	4002395864348

Position	Quantité	Désignation	Référence	EAN
0067	1	BUSH	4931435671	4002395864355
0071	1	NUT	4931435672	4002395864362
0081	1	HOLDER	5131000000	
0083	1	O-RING	4931435674	4002395864386
0090	1	ADAPTER	4931435862	4002395869336